

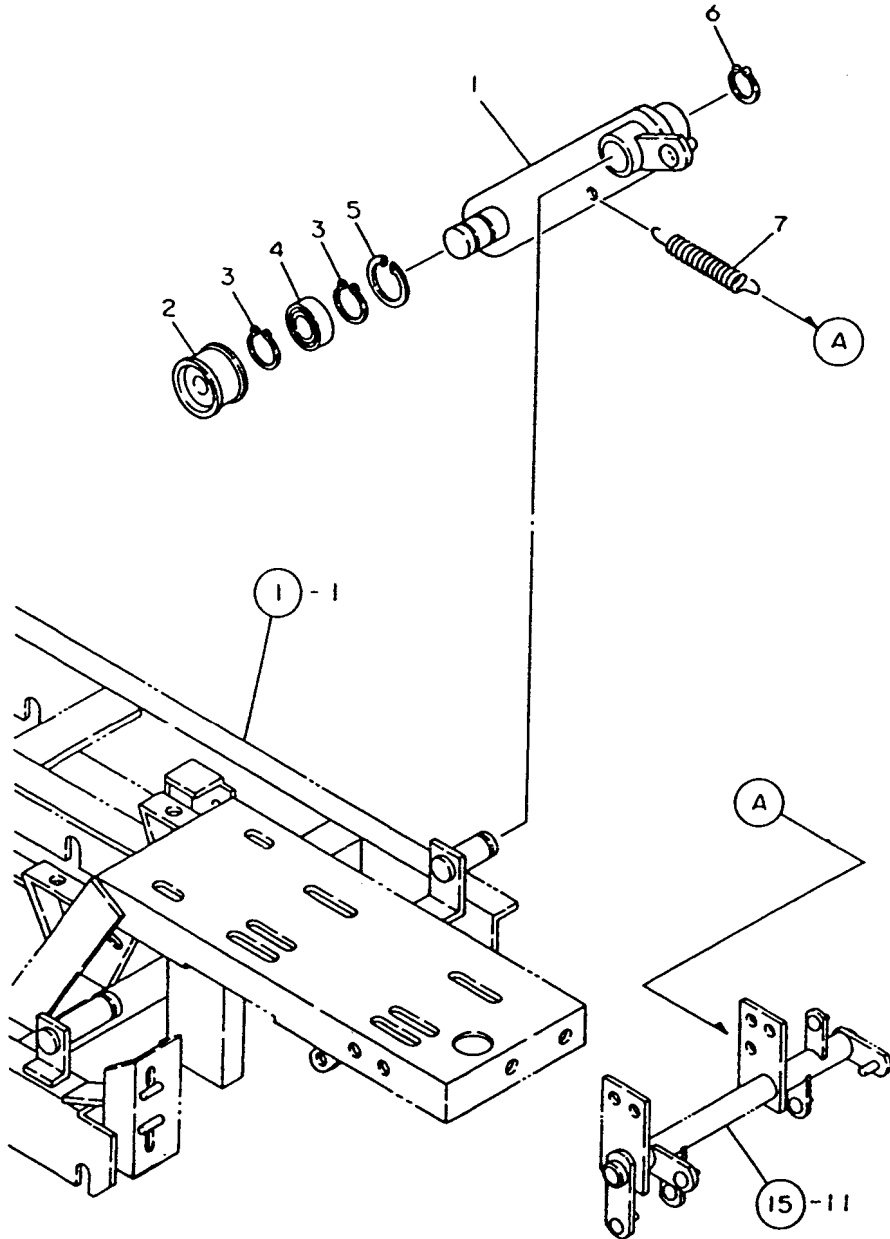
0CNP1-M90300EN

Contents

Fig. No.	Fig. Name
PULLEY & TENSION SECTION	
1.	TENSION ARM
2.	PULLEY
FRAME SECTION	
3.	BODY FRAME
TRAVELING SECTION (1)	
4.	IDLER
5.	TRACK ROLLER
TRAVELING SECTION (2)	
6.	MISSION CASE
7.	INPUT SHAFT
8.	SECOND SHAFT
9.	SIDE CLUTCH SHAFT
10.	TRAVEL SHAFT
11.	BRAKE
12.	SIDE CLUTCH
13.	MAIN CHANGE
CONTROL SECTION	
14.	HANDLE
15.	TRAVEL LEVER
16.	BRAKE LEVER

Fig. No.	Fig. Name
17.	CHANGE LEVER
18.	SIDE CLUTCH LEVER
19.	ENGINE COVER
PLATFORM CARRIER SECTION	
20.	PLATFORM CARRIER
TOOLS,ACCESSORIES & LABELS SECTION	
21.	LABELS
22.	TOOLS & ACCESSORIES

Fig.1. TENSION ARM

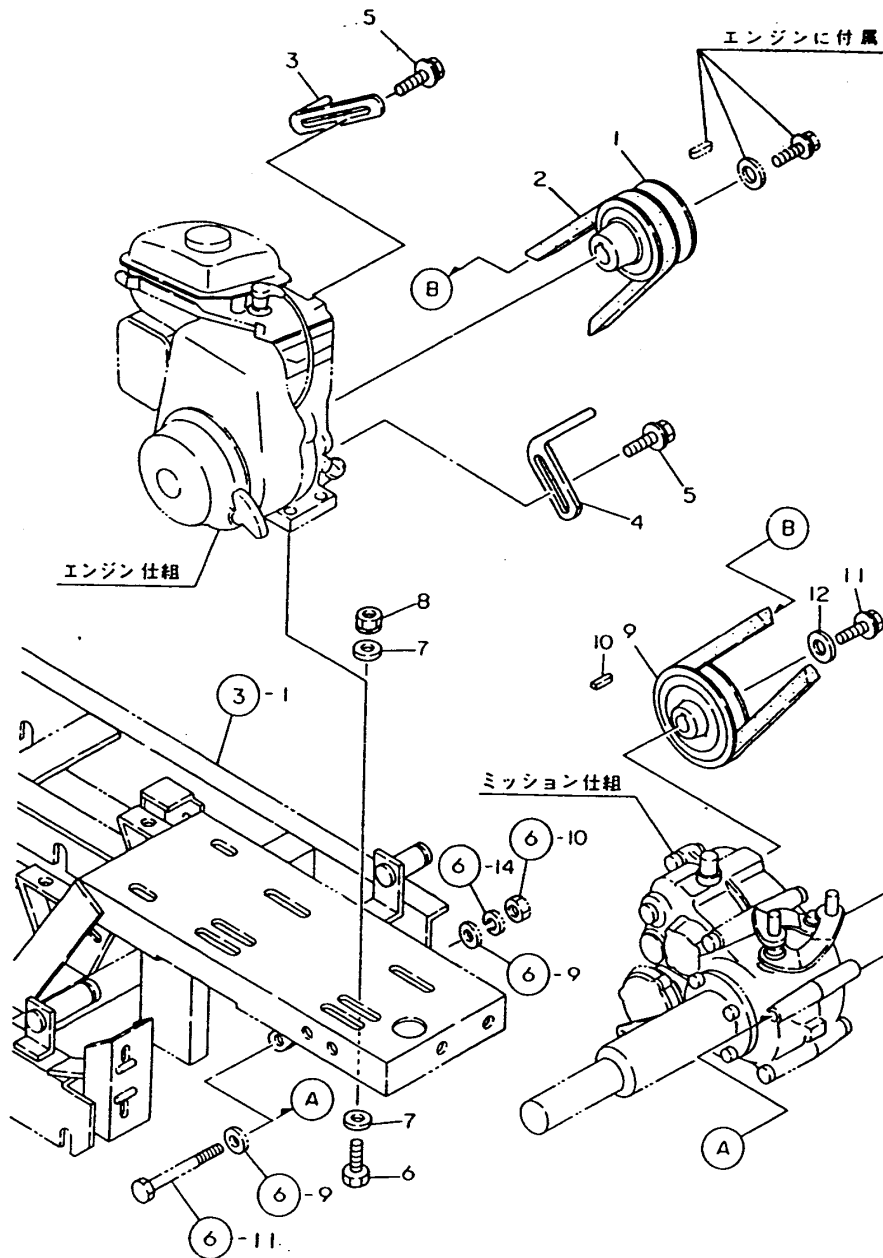


(A)=MCG100
(B)=
(C)=

(D)=
(E)=
(F)=

No.	Lev.	Parts No.	Description	Qty						I	R
				(A)	(B)	(C)	(D)	(E)	(F)		
1	1	1N1296-22000	ARM,TENSION	1							
2	1	1N1430-22070	ROLLER,TENSION	1							
3	1	22242-000150	RING, 15	2							
4	1	24104-062024	BEARING, BALL 6202UU	1							
5	1	22252-000350	RING, 35	1							
6	1	22242-000160	RING, 16	1							
7	1	1N1190-45000	SPRING 11X72.5,TENS.	1							

Fig.2. PULLEY



(A)=MCG100

(B)=

(C)=

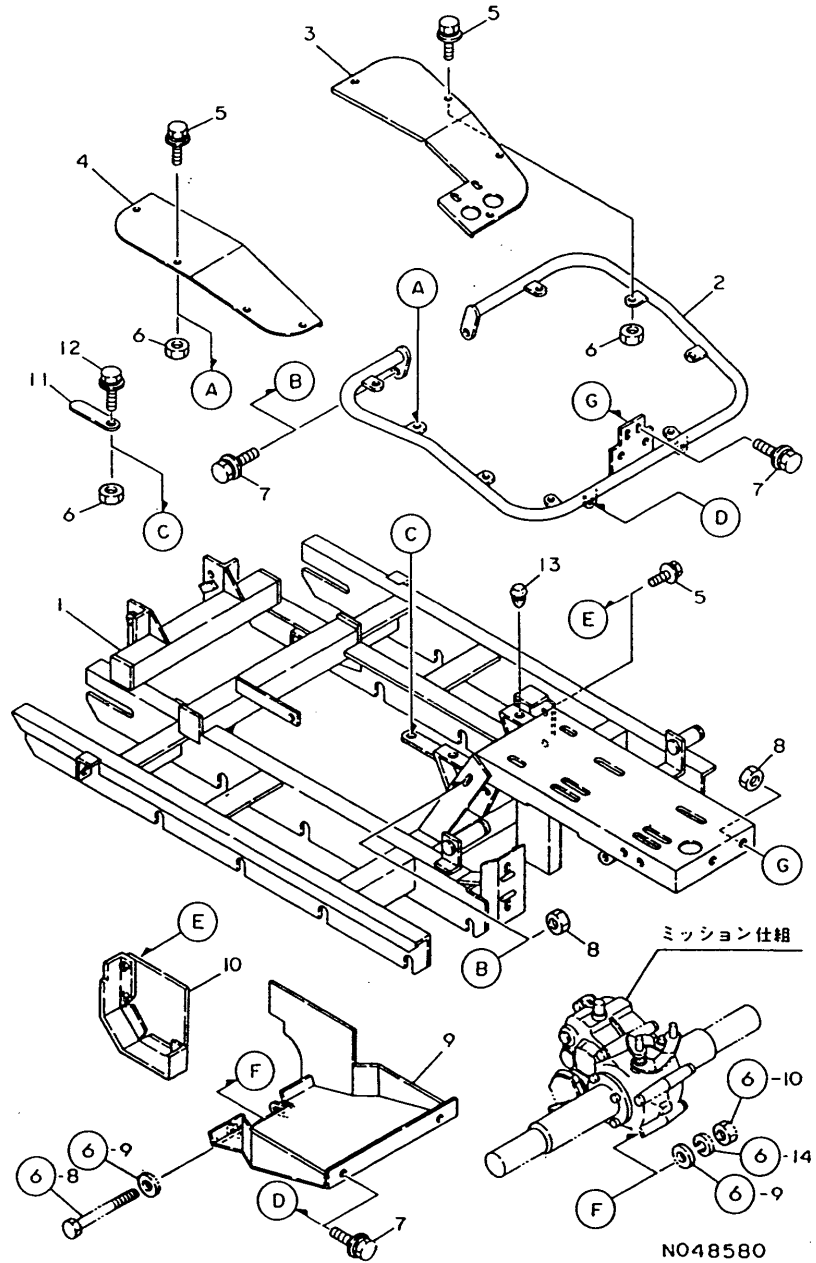
(D)=

(E)=

(F)=

No.	Lev.	Parts No.	Description	Q'ty						I	R
				(A)	(B)	(C)	(D)	(E)	(F)		
1	1	1N1296-21000	V-PULLEY B3X2	1							
2	1	25123-003701	V-BELT, B37H	1							
3	1	1N1291-22020	GUARD 40,BELT	1							
4	1	1N1210-22040	GUIDE 70,BELT	1							
5	1	26018-080164	BOLT M 8X 16	2							
6	1	26116-080452	BOLT, M8X 45 PLATED	4							
7	1	22137-080000	WASHER, 8	8							
8	1	26051-080002	NUT, M8	4							
9	1	1N1291-21010	PULLEY,TRANSMISSION	1							
10	1	22550-050251	KEY, 5X 25	1							
11	1	26016-060164	BOLT 6X16 W/L.W.	1							
12	1	1N1240-21040	WASHER	1							

Fig.3. BODY FRAME



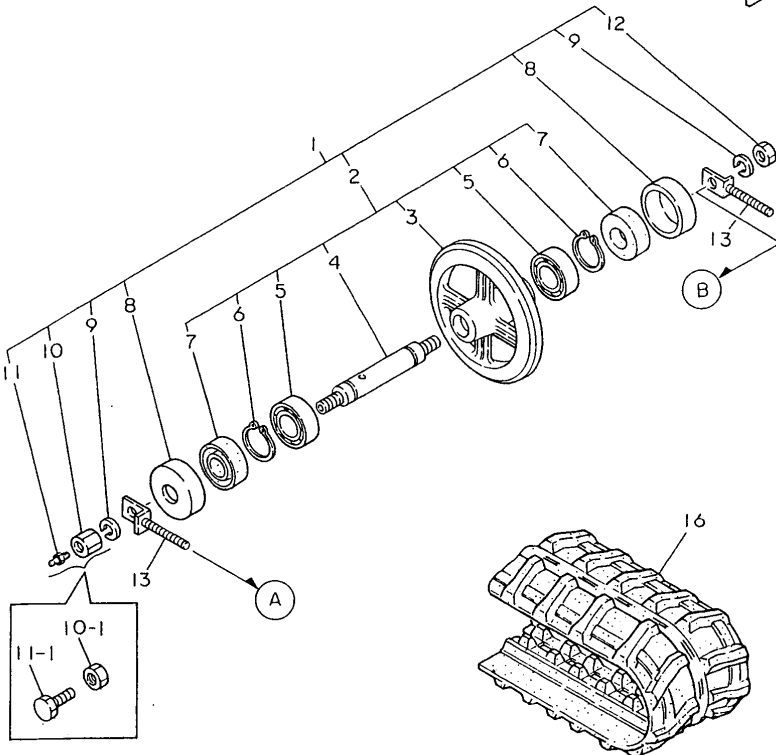
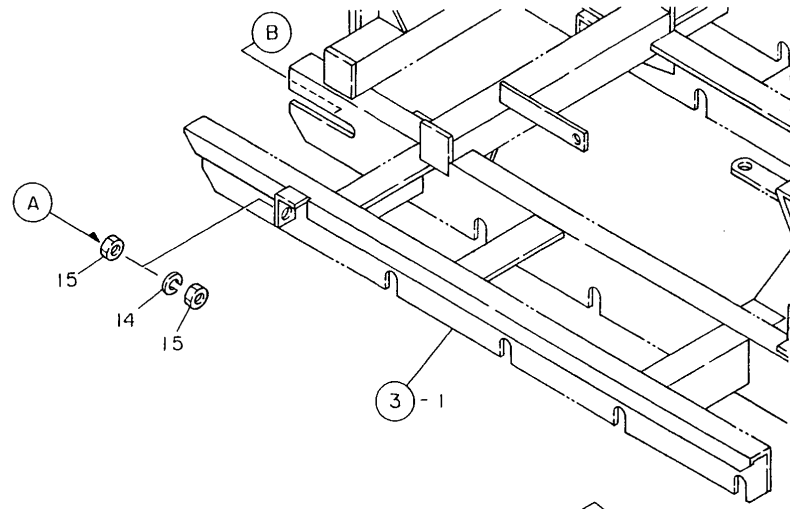
NO48580

(A)=MCG100
(B)=
(C)=

(D)=
(E)=
(F)=

No.	Lev.	Parts No.	Description	Q'ty						I	R
				(A)	(B)	(C)	(D)	(E)	(F)		
1	1	1N1296-31000	FRAME	1							
2	1	1N1296-54000	STEP A	1							
3	1	1N1296-54020	PLATE,STEP	1							
4	1	1N1293-54030	PLATE A,STEP	1							
5	1	1N1291-58080	BOLT 6X16 W/P&SW.	10							
6	1	26367-060002	NUT, M6	9							
7	1	26018-080204	BOLT M 8X 20	6							
8	1	26367-080002	NUT, M8	4							
9	1	1N1296-58080	GUARD,UNDER	1							
10	1	1N1296-58050	COVER,BELT	1							
11	1	1N1185-51020	STOPPER,WIRE	1							
12	1	26018-060164	BOLT M 6X 16	1							
13	1	1N1101-44040	RUBBER,STOPPER	2							

Fig.4. IDLER



(A)=MCG100
(B)=
(C)=

(D)=
(E)=
(F)=

No.	Lev.	Parts No.	Description	Q'ty						I	R
				(A)	(B)	(C)	(D)	(E)	(F)		
1	1	7N1361-35010	FLOAT RING SET	2							
1-1	1	7N1361-35011		2							S
(A=F910129)											
2	2	7N1361-35000	FLOAT RING ASSY.	2							
2-1	2	7N1361-35020		2							S
(A=F910129)											
3	3	1N1361-35000	RING,FLOAT	2							
4	3	1N1361-35010	SHAFT	2							
4-1	3	1N1361-35011	SHAFT	2							S
(A=F910129)											
5	3	24101-060044	BEARING, BALL 6004	4							
6	3	22252-000200	RING, 20	4							
7	3	24421-204208	SEAL, OIL TC204208	4							
8	2	1N1240-35030	BASE,STAND	4							
9	2	22217-160000	WASHER, SPRING 16	4							
10	2	1N1101-36050	NUT M16,HIGH	2							
10-1	2	26717-160002	NUT, M16	2							S
(A=F910129)											
11	2	24761-010000	NIPPLE, GREASE M6F	2							
11-1	2	26117-060084	BOLT, M6X 8 PLATED	2							S
(A=F910129)											
12	2	26717-160002	NUT, M16	2							
13	1	1N1361-37010	SCREW,ADJUST	4							
14	1	22217-140000	WASHER, SPRING 14	4							
15	1	26717-140002	NUT, M14	8							
16	1	1N1296-37000	CRAWLER 180X60X37,RB	2							

Fig.5. TRACK ROLLER

(A)=MCG100

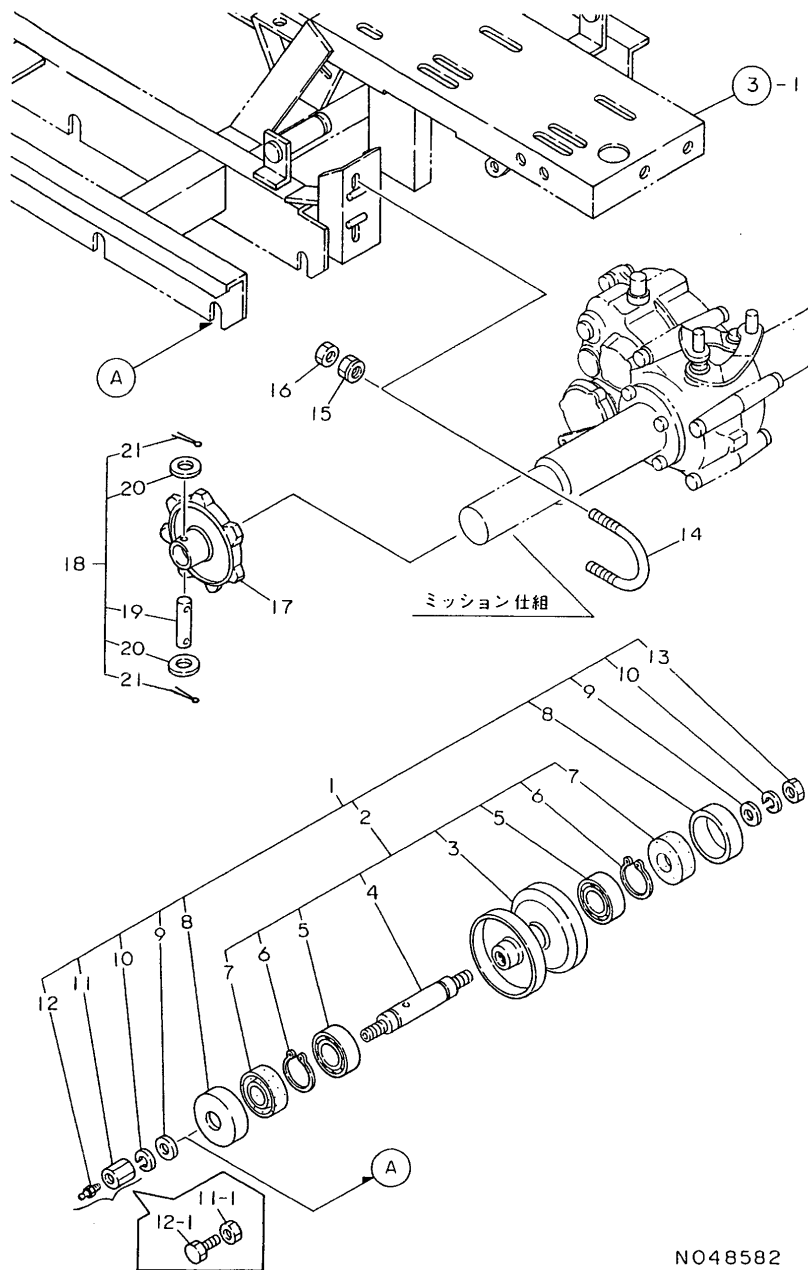
(B)=

(C)=

(D)=

(E)=

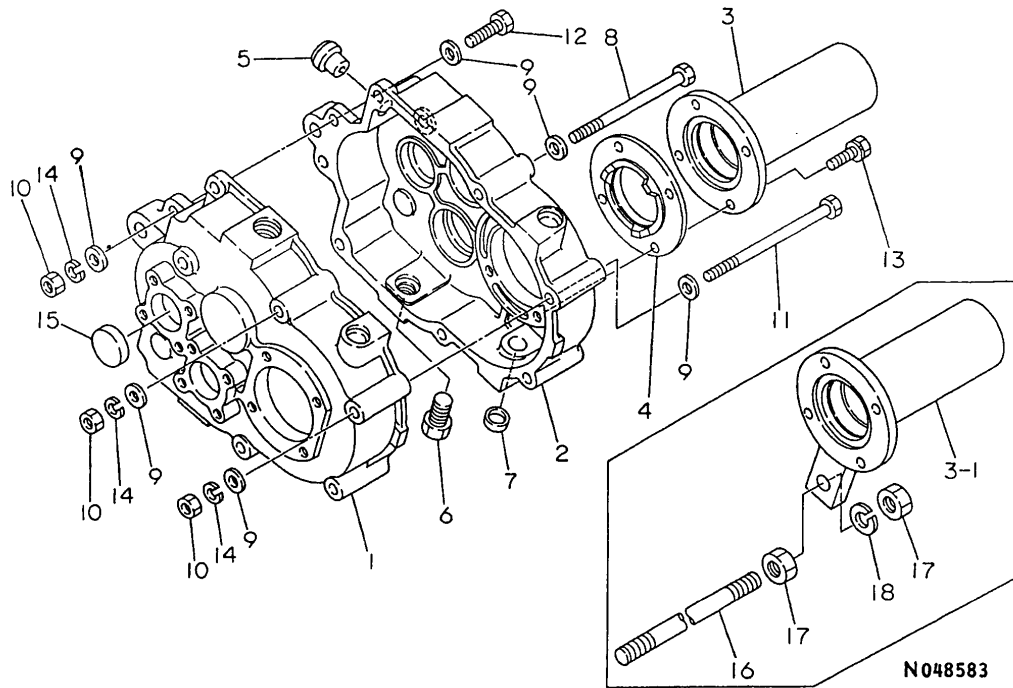
(F)=



NO48582

No.	Lev.	Parts No.	Description	Q'ty						I	R
				(A)	(B)	(C)	(D)	(E)	(F)		
1	1	7N1361-36010	LWR.TRANK ROLLER SET	8							
1-1	1	7N1361-36011	LWR.TRANK ROLLER SET	8							S
(A=F910129)											
2	2	7N1361-36000	LWR.TRANK ROLLER ASY	8							
2-1	2	7N1361-36001	LWR.TRANK ROLLER ASY	8							S
(A=F910129)											
3	3	1N1361-36000	ROLLER,LOWER TRANK	8							
4	3	1N1361-35010	SHAFT	8							
4-1	3	1N1361-35011	SHAFT	8							S
(A=F910129)											
5	3	24101-060044	BEARING, BALL 6004	16							
6	3	22242-000200	RING, 20	16							
7	3	24421-204208	SEAL, OIL TC204208	16							
8	2	1N1240-35030	BASE,STAND	16							
9	2	22137-160000	WASHER, 16	16							
10	2	22217-160000	WASHER, SPRING 16	16							
11	2	1N1101-36050	NUT M16,HIGH	8							
11-1	2	26717-160002	NUT, M16	8							S
(A=F910129)											
12	2	24761-010000	NIPPLE, GREASE M6F	8							
12-1	2	26117-060084	BOLT, M6X 8 PLATED	8							S
(A=F910129)											
13	2	26717-160002	NUT, M16	8							
14	1	1N1210-35100	U-BOLT	2							
15	1	26052-100002	NUT, M10	4							
16	1	26757-100002	NUT, LOCK M10	4							
17	1	1N1291-35000	SPROCKET	2							
18	1	7N1296-35000	SPROCKET PIN SET	2							
19	2	1N1296-35000	PIN,SPROCKET	2							
20	2	22137-100000	WASHER, 10	4							
21	2	22417-250250	PIN, COTTER 2.5X25	4							

Fig.6. MISSION CASE



(A)=MCG100

(B)=

(C)=

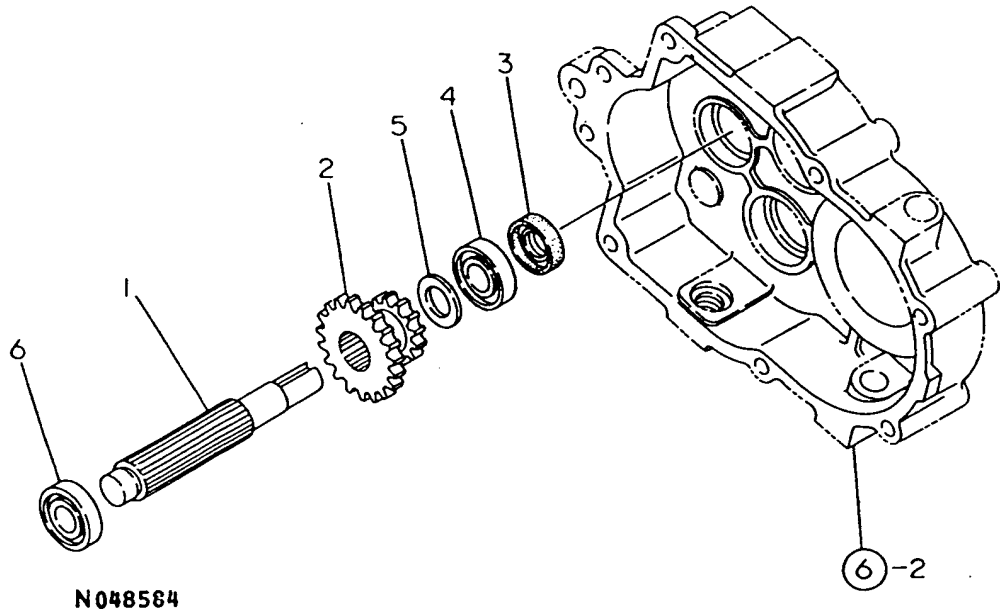
(D)=

(E)=

(F)=

No.	Lev.	Parts No.	Description	Q'ty						I	R
				(A)	(B)	(C)	(D)	(E)	(F)		
1-1	1	1N1291-24051 (A=F720001)		1							S
2	1	1N1291-24060	CASE R,TRANSMISSION	1							S
2-1	1	1N1291-24061 (A=F720001)	CASE R,TRANSMISSION	1							S
3	1	1N1296-24000	HOLDER,AXLE	2							
3-1	1	1N1296-24001 (A=F720001)	HOLDER,AXLE	2							S
4	1	1N1296-24010	PAWL,CLUTCH	2							
4-1	1	1N1296-24011 (A=F720001)		2							S
4-2	1	1N1296-24012 (A=F720021)		2							S
4-3	1	1N1296-24013 (A=F910213)	PAWL,CLUTCH	2							S
6	1	1N1291-24040	PLUG M14,DRAIN	1							
7	1	1N1430-24080	CAP,SEAL	2							
8	1	26117-081102	BOLT M 8X110 PLATED	3							
9	1	22137-080000	WASHER, 8	16							
10	1	26717-080002	NUT, M8	8							
11	1	26117-081202	BOLT M 8X120 PLATED	1							
12	1	26117-080302	BOLT M 8X 30	4							
13	1	26016-080204	BOLT M 8X 20	8							
14	1	22217-080000	WASHER, SPRING 8	8							
15	1	1N1430-24000	PLUG,BLIND	1							
16	1	1N1296-24020 (A=F720001)	SCREW M12X180	1							W
17	1	26717-120002 (A=F720001)	NUT, M12	4							W
18	1	22217-120000 (A=F720001)	WASHER, SPRING 12	2							W

Fig.7. INPUT SHAFT

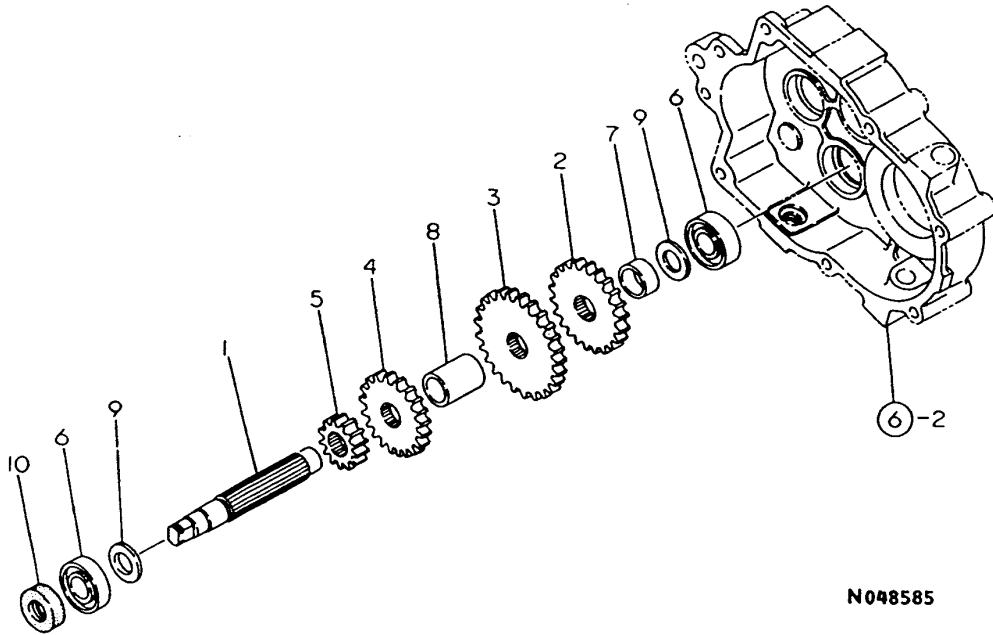


(A)=MCG100
(B)=
(C)=

(D)=
(E)=
(F)=

No.	Lev.	Parts No.	Description	Q'ty						I	R
				(A)	(B)	(C)	(D)	(E)	(F)		
1	1	1N1291-25310	SHAFT KW2,INPUT	1							
2	1	1N1291-25010	GEAR 16-27	1							
3	1	24421-173007	SEAL, OIL TC173007	1							
4	1	24101-060034	BEARING, BALL 6003	1							
5	1	1N1430-25090	COLLAR	1							
6	1	24101-062024	BEARING, BALL 6202	1							

Fig.8. SECOND SHAFT

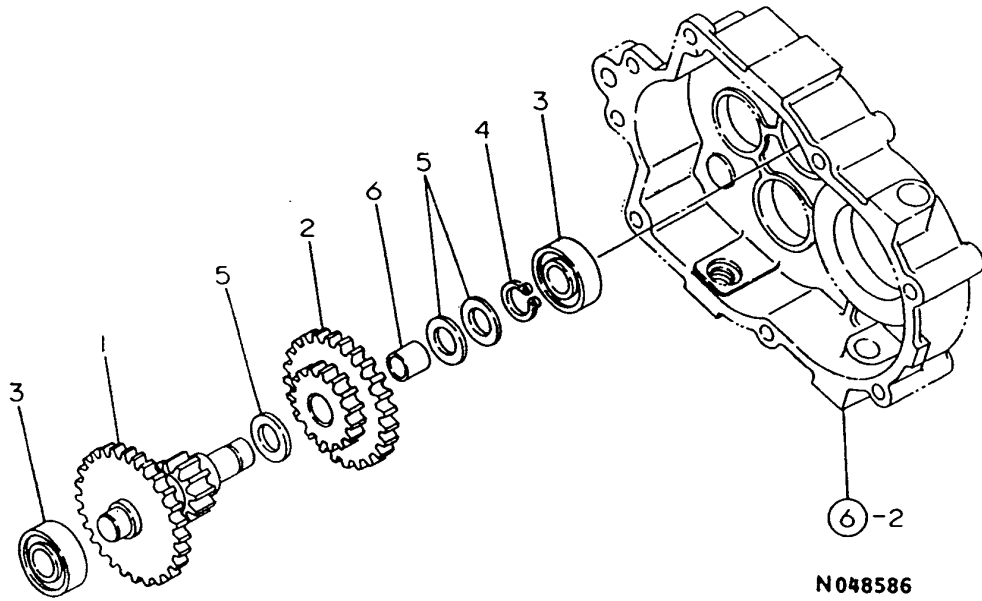


(A)=MCG100
(B)=
(C)=

(D)=
(E)=
(F)=

No.	Lev.	Parts No.	Description	Q'ty						I	R
				(A)	(B)	(C)	(D)	(E)	(F)		
1	1	1N1296-25000	SHAFT,2ND	1							
2	1	1N1296-25010	GEAR 33	1							
2-1	1	1N1291-25340	GEAR 28	1							S
			(A=F720001)								
3	1	1N1296-25020	GEAR 41	1							
4	1	1N1296-25030	GEAR 30	1							
5	1	1N1291-25040	GEAR 16	1							
6	1	24101-062034	BEARING, BALL 6203	2							
7	1	1N1291-25050	COLLAR 20.5X26X11	1							
8	1	1N1291-25060	COLLAR 20.2X27.2X33	1							
9	1	1N1430-25090	COLLAR	2							
10	1	24421-173507	SEAL, OIL TC173507	1							

Fig.9. SIDE CLUTCH SHAFT

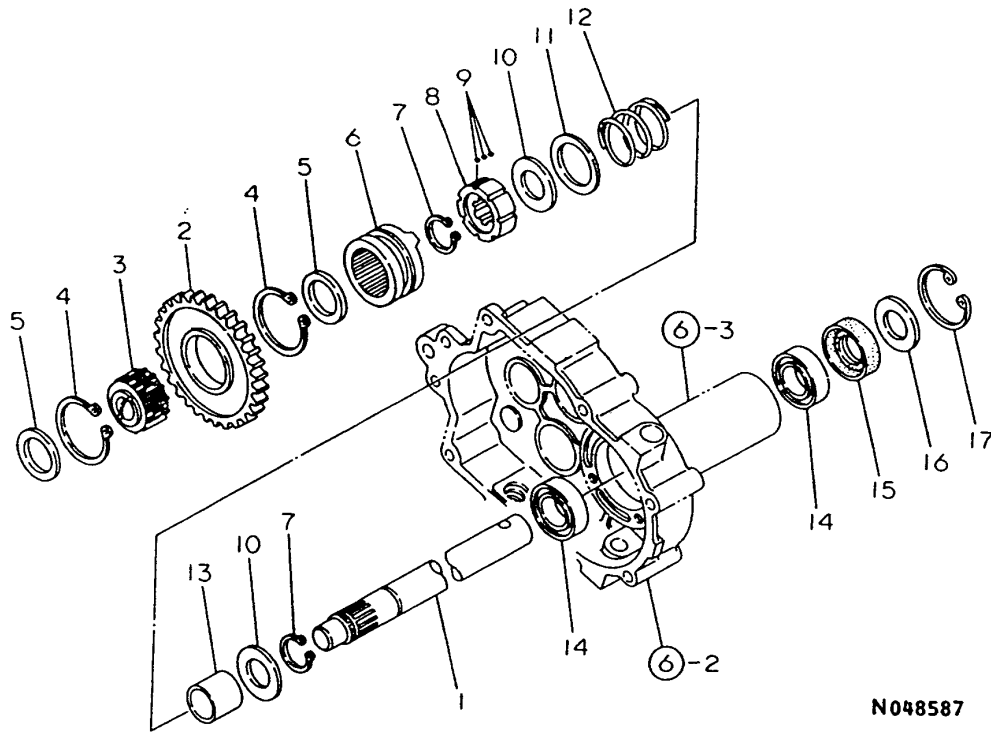


(A)=MCG100
(B)=
(C)=

(D)=
(E)=
(F)=

No.	Lev.	Parts No.	Description	Q'ty						I	R
				(A)	(B)	(C)	(D)	(E)	(F)		
1	1	1N1291-25070	SHAFT COMP.,3RD	1							
2	1	1N1430-25060	GEAR 24/41T	1							
2-1	1	1N1291-25350	GEAR 26/41T	1							S
(A=F720001)											
3	1	24101-062034	BEARING, BALL 6203	2							
4	1	22242-000170	RING, 17	1							
5	1	1N1430-25090	COLLAR	3							
6	1	1N1291-25080	BUSH 1715	1							

Fig.10. TRAVEL SHAFT



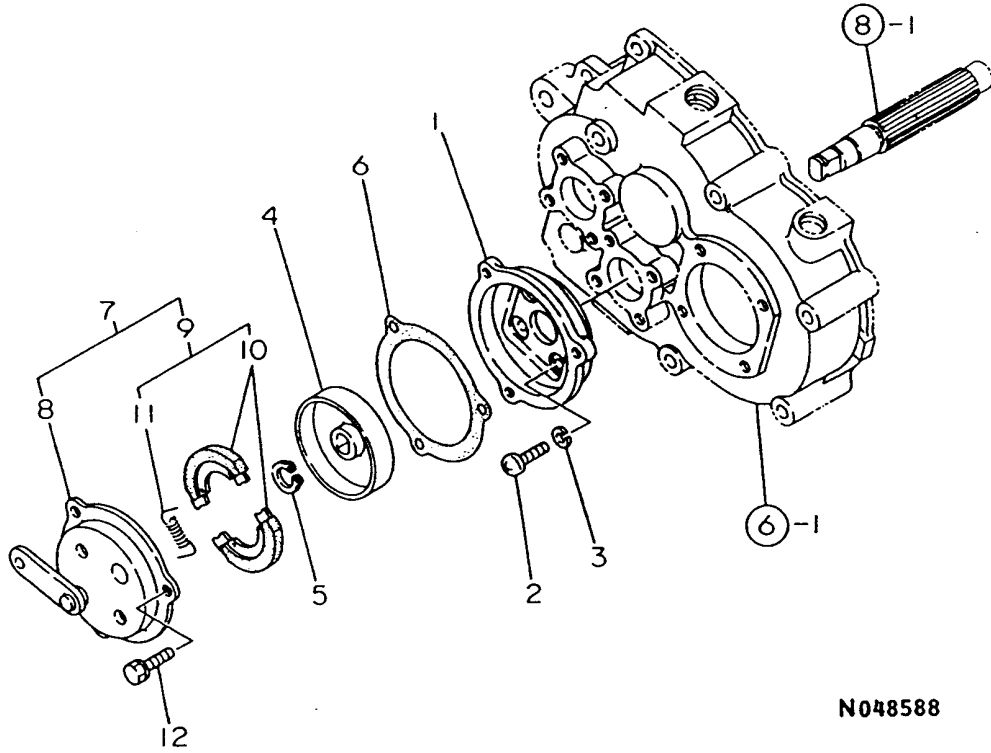
N048587

(A)=MCG100
(B)=
(C)=

(D)=
(E)=
(F)=

No.	Lev.	Parts No.	Description	Q'ty						I	R
				(A)	(B)	(C)	(D)	(E)	(F)		
1	1	1N1291-25090	AXLE	2							
2	1	1N1291-25100	GEAR 44	1							
3	1	1N1291-25110	GEAR 28,CLUTCH	1							
4	1	22242-000500	RING, 50	2							
5	1	1N1291-25120	PLATE,BALL SUPPORT'G	2							
6	1	1N1291-25131	GEAR 28,SIDE CLUTCH	2							
6-1	1	1N1291-25132		2							S
		(A=F720001)									
6-2	1	1N1291-25133	GEAR 28,SIDE CLUTCH	2							S
		(A=F720021)									
6-3	1	1N1291-25134	GEAR 28,SIDE CLUTCH	2							S
		(A=F910213)									
7	1	22242-000250	RING, 25	4							
8	1	1N1291-25140	BOSS,DRIVE	2							
9	1	1N1291-25150	BALL 4,STEEL	42							
10	1	1N1291-25160	LINER 2.0X25.5X46	4							
11	1	1N1291-25170	LINER 2.0X35.5X50	2							
12	1	1N1291-25180	SPRING,CLUTCH	2							
13	1	1N1291-25190	COLLAR 25.2X31.8X27.	2							
14	1	24101-060054	BEARING, BALL 6005	4							
15	1	24421-254708	SEAL, OIL TC254708	2							
16	1	1N1291-25200	COVER,OIL SEAL	2							
17	1	22252-000470	RING, 47	2							

Fig.11. BRAKE



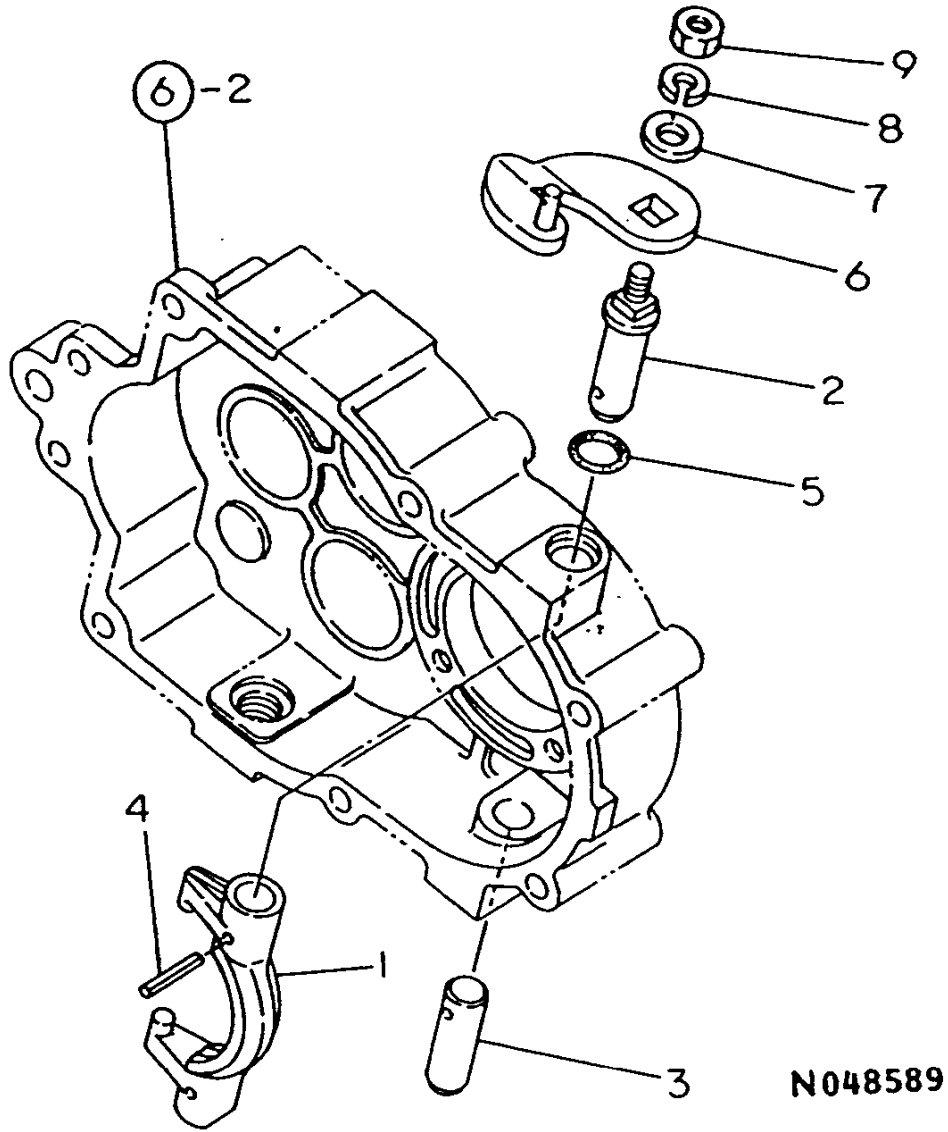
N048588

(A)=MCG100
(B)=
(C)=

(D)=
(E)=
(F)=

No.	Lev.	Parts No.	Description	Q'ty						I	R
				(A)	(B)	(C)	(D)	(E)	(F)		
1	1	1N1296-25040	MOUNT,BRAKE	1							
2	1	26557-060162	SCREW M 6X 16	4							
3	1	22217-060000	WASHER, SPRING 6	4							
4	1	1N1291-25220	DRUM,BRAKE	1							
5	1	22242-000140	RING, 14	1							
6	1	1N1291-25230	PACKING,BRAKE PLATE	1							
7	1	7N1291-25000	BRAKE PLATE ASSY.	1							
8	2	1N1291-25240	PLATE COMP.,BRAKE	1							
9	2	7N1291-25010	BRAKE SHOE ASSY.	1							
10	3	1N1291-25250	SHOE,BRAKE	2							
11	3	1N1291-25260	SPRING,BRAKE SHOE	2							
12	1	26016-060124	BOLT 6X12 W/L.W.	3							

Fig.12. SIDE CLUTCH

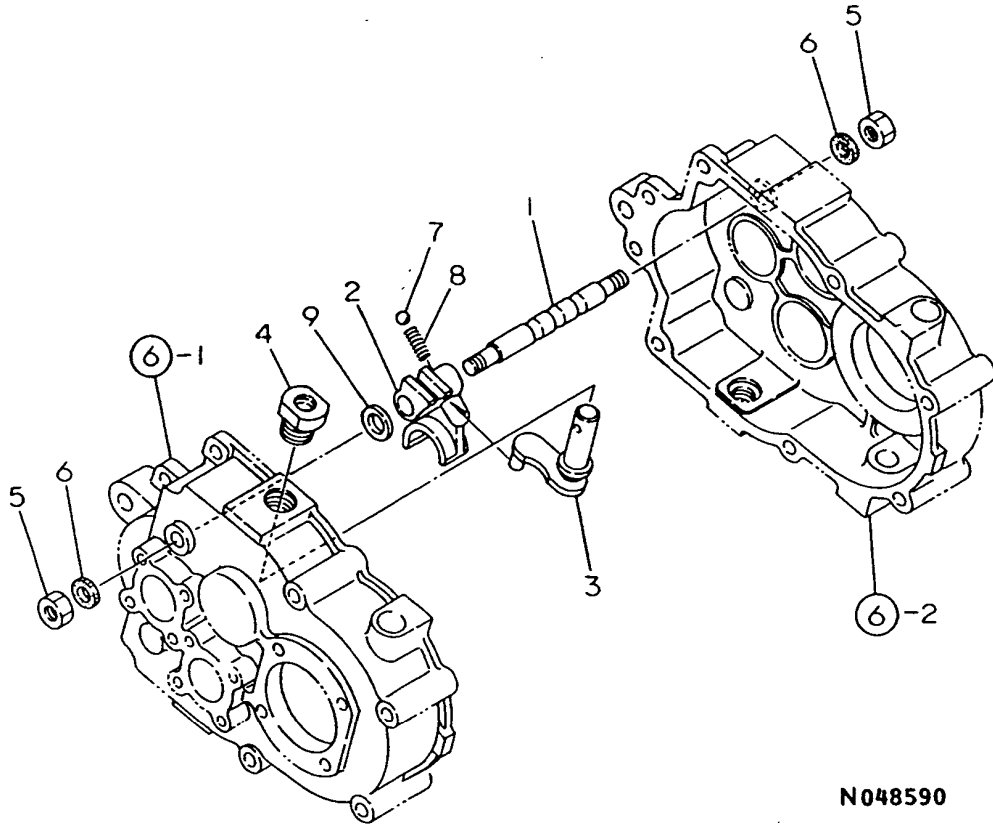


(A)=MCG100
(B)=
(C)=

(D)=
(E)=
(F)=

No.	Lev.	Parts No.	Description	Q'ty						I	R
				(A)	(B)	(C)	(D)	(E)	(F)		
1	1	1N1296-25050	SHIFTER,SIDE CLUTCH	2							
2	1	1N1296-25060	PIN,SHIFT LEVER UPPR	2							
3	1	1N1296-25070	PIN,SHIFT LEVER LOWR	2							
4	1	22351-050025	PIN, SPRING 5.0X25	4							
5	1	24311-000140	O-RING, 1AP14.0	2							
6	1	1N1291-25300	LEVER,SIDE CLUTCH	2							
7	1	22137-080000	WASHER, 8	2							
8	1	22217-080000	WASHER, SPRING 8	2							
9	1	26717-080002	NUT, M8	2							

Fig.13. MAIN CHANGE

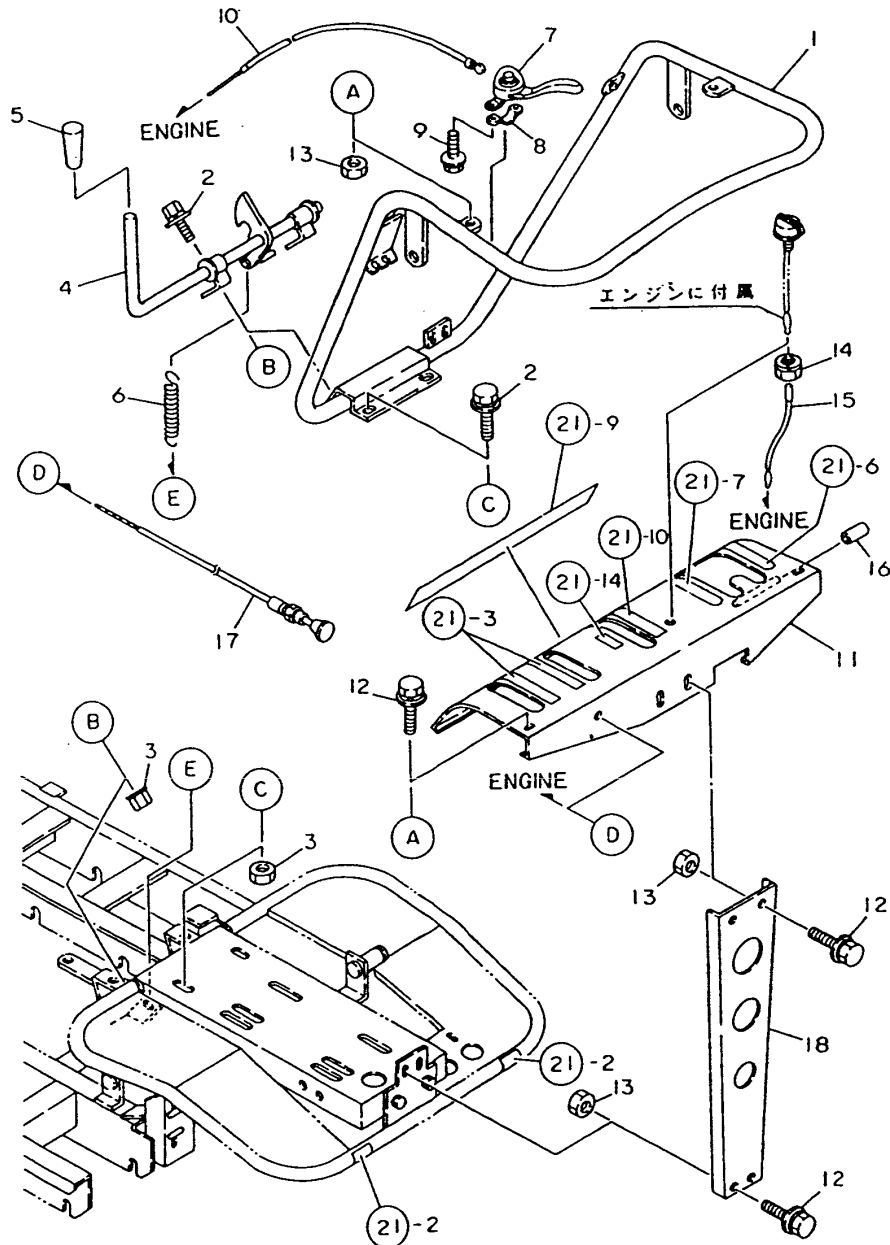


(A)=MCG100
(B)=
(C)=

(D)=
(E)=
(F)=

No.	Lev.	Parts No.	Description	Q'ty						I	R
				(A)	(B)	(C)	(D)	(E)	(F)		
1	1	1N1291-26000	ROD,SHIFTER	1							
2	1	1N1291-26010	SHIFTER,GEAR	1							
3	1	1N1291-26020	LEVER,SHIFT	1							
4	1	1N1291-26030	GUIDE,SHIFT LEVER	1							
5	1	26717-100002	NUT, M10	2							
6	1	1N1430-26030	WASHER,SEAL	2							
7	1	1N1150-25010	BALL 8,STEEL	1							
8	1	1N1291-26040	SPRING,FORK	1							
9	1	1N1291-26050	LINER 2.3X22X13.5	1							

Fig.14. HANDLE



(A)=MCG100

(B)=

(C)=

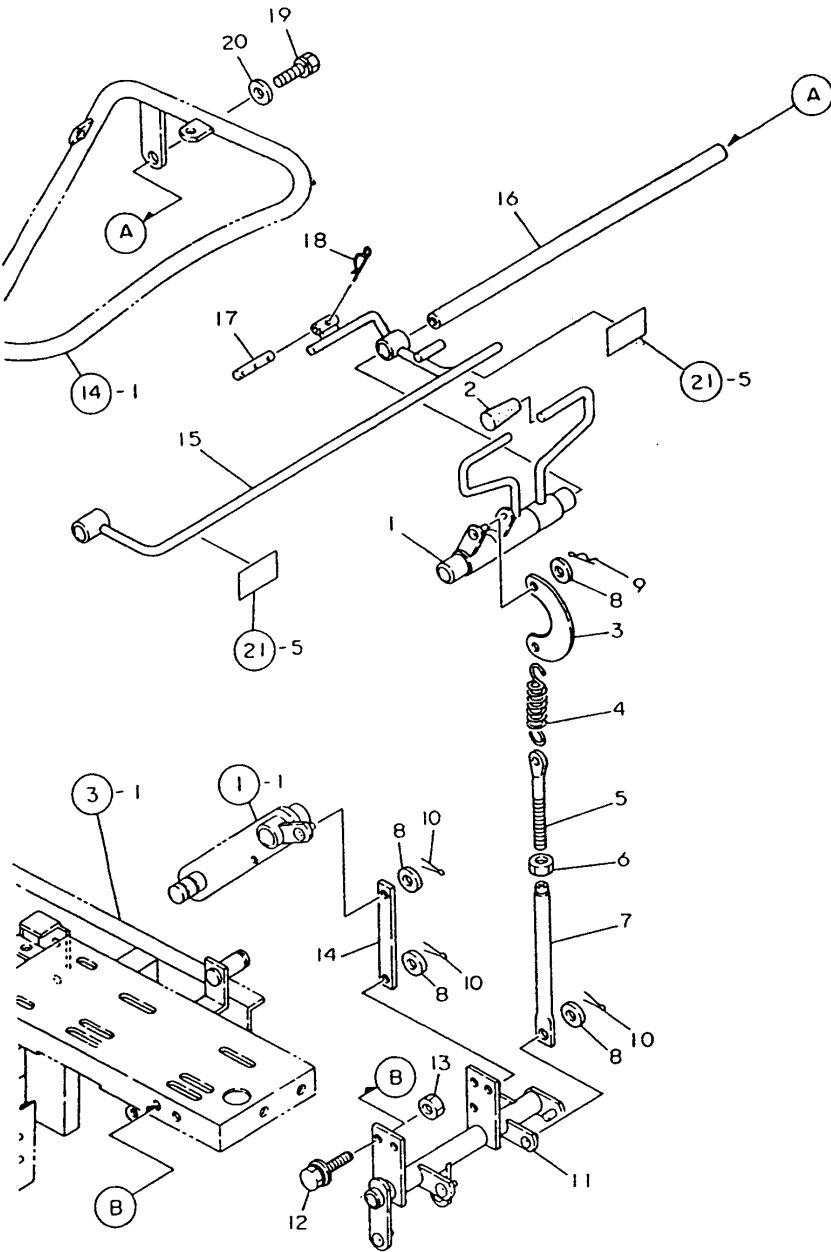
(D)=

(E)=

(F)=

No.	Lev.	Parts No.	Description	Qty						I	R
				(A)	(B)	(C)	(D)	(E)	(F)		
1	1	1N1296-47000	HANDLE	1							
2	1	26018-100204	BOLT M10X 20	4							
3	1	26367-100002	NUT, M10	4							
4	1	1N1296-64110	LEVER LOCK	1							
5	1	1N1101-44020	GRIP 10,BRAKE	1							
6	1	1N1190-45000	SPRING 11X72.5,TENS.	1							
7	1	1N1277-42320	LEVER B,CLUTCH COMB.	1							
8	1	1N1277-42300	LEVER B,CLUTCH	1							
9	1	26014-060259	BOLT, M6X 25	2							
10	1	1N1291-51000	WIRE,THROTTLE	1							
11	1	1N1296-58000	PANEL A,CONTROL	1							
12	1	1N1291-58080	BOLT 6X16 W/P&SW.	8							
13	1	26367-060002	NUT, M6	8							
14	1	26051-080002	NUT, M8	1							
15	1	1N1101-52010	WIRE,STOP LEAD	1							
16	1	1N1277-42270	HOSE,VINYL	2							
17	1	1N1277-51010	WIRE,CHOKE	1							
18	1	1N1291-58060	STAY,HANDLE	1							

Fig.15. TRAVEL LEVER



N048592

(A)=MCG100

(B)=

(C)=

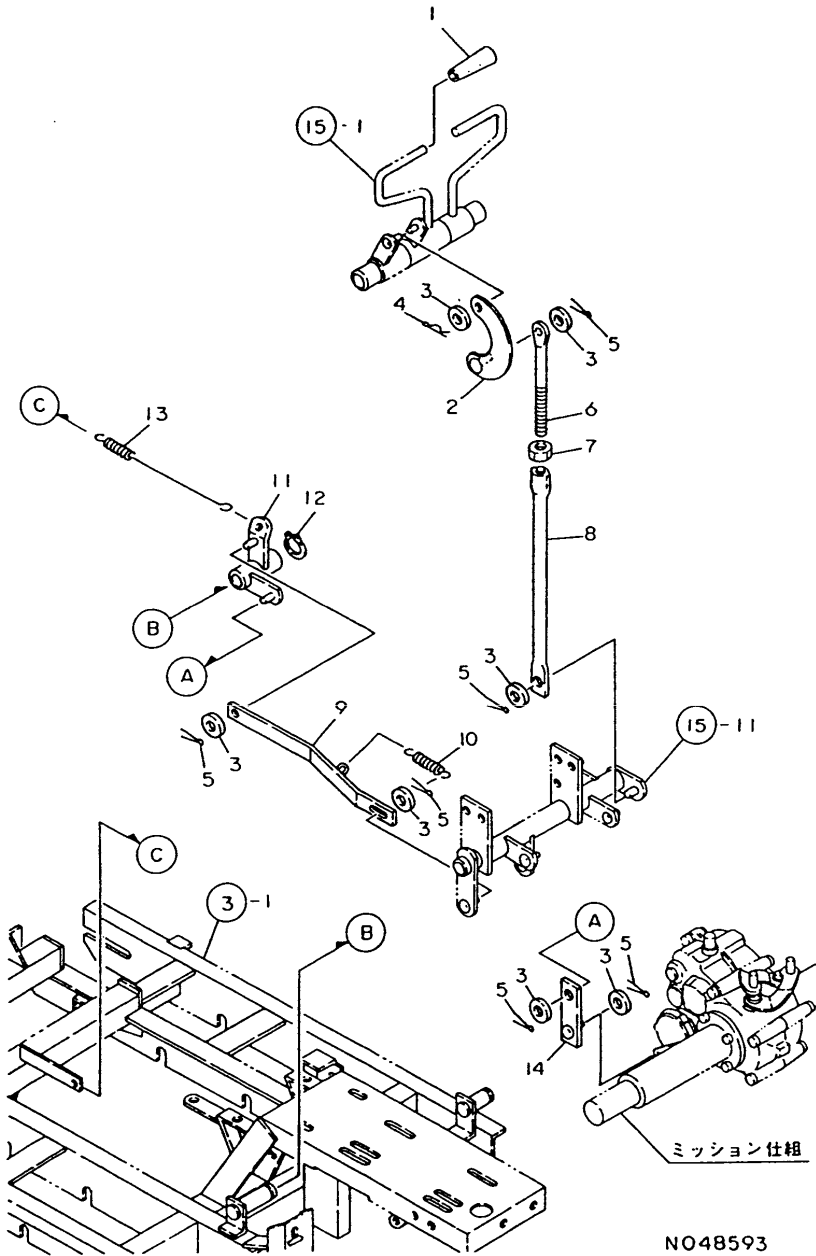
(D)=

(E)=

(F)=

No.	Lev.	Parts No.	Description	Q'ty						I	R
				(A)	(B)	(C)	(D)	(E)	(F)		
1	1	1N1296-42070	LEVER,CLUTCH BRAKE	1							
2	1	1N1101-44020	GRIP 10,BRAKE	1							
3	1	1N1240-42050	LINK,CRESCENT	1							
4	1	1N1210-53030	SPRING 21.5X78,TENS.	1							
5	1	1N1110-42001	ROD A,CLUTCH BRAKE	1							
6	1	26757-080002	NUT, LOCK M8	1							
7	1	1N1276-44041	ROD A,SIDE CLUTCH	1							
8	1	22137-080000	WASHER, 8	4							
9	1	22360-080000	SNAP PIN 8	1							
10	1	22417-250200	PIN, COTTER 2.5X20	3							
11	1	1N1296-42090	LINK,BRAKE-CLUTCH	1							
12	1	26018-080204	BOLT M 8X 20	4							
13	1	26367-080002	NUT, M8	4							
14	1	1N1380-42100	LINK D	1							
15	1	1N1296-42000	LEVER,INTERLOCK	1							
16	1	1N1291-42120	SHAFT	1							
17	1	1N1291-42160	PIN	1							
18	1	22360-200000	PIN, SNAP 20	1							
19	1	26013-100254	BOLT, M10X 25	2							
20	1	22137-100000	WASHER, 10	2							

Fig.16. BRAKE LEVER

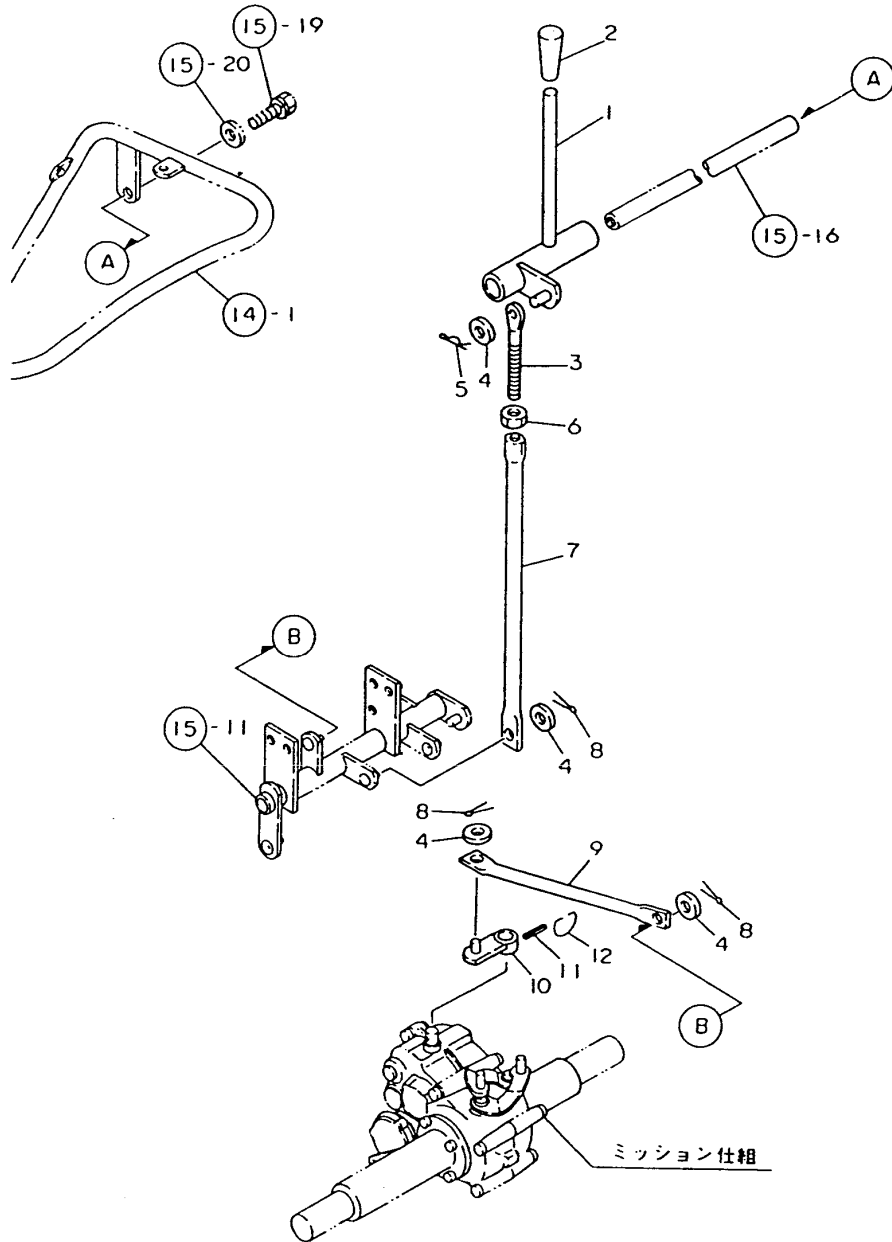


(A)=MCG100
(B)=
(C)=

(D)=
(E)=
(F)=

No.	Lev.	Parts No.	Description	Q'ty						I	R
				(A)	(B)	(C)	(D)	(E)	(F)		
1	1	1N1101-44030	GRIP 10,BRAKE RED	1							
2	1	1N1360-22130	LINK,CRESCENT	1							
3	1	22137-080000	WASHER, 8	7							
4	1	22360-080000	SNAP PIN 8	1							
5	1	22417-250200	PIN, COTTER 2.5X20	6							
6	1	1N1110-42001	ROD A,CLUTCH BRAKE	1							
7	1	26757-080002	NUT, LOCK M8	1							
8	1	1N1360-22141	ROD,CLUTCH	1							
9	1	1N1296-42180	ROD A,BRAKE	1							
10	1	1N1151-53000	SPRING 12.5X54,TENS.	1							
11	1	1N1296-42150	LINK,BRAKE	1							
12	1	22242-000160	RING, 16	1							
13	1	1N1293-53000	SPRING,BRAKE RETURN	1							
14	1	1N1296-42200	ROD B,BRAKE	1							

Fig.17. CHANGE LEVER

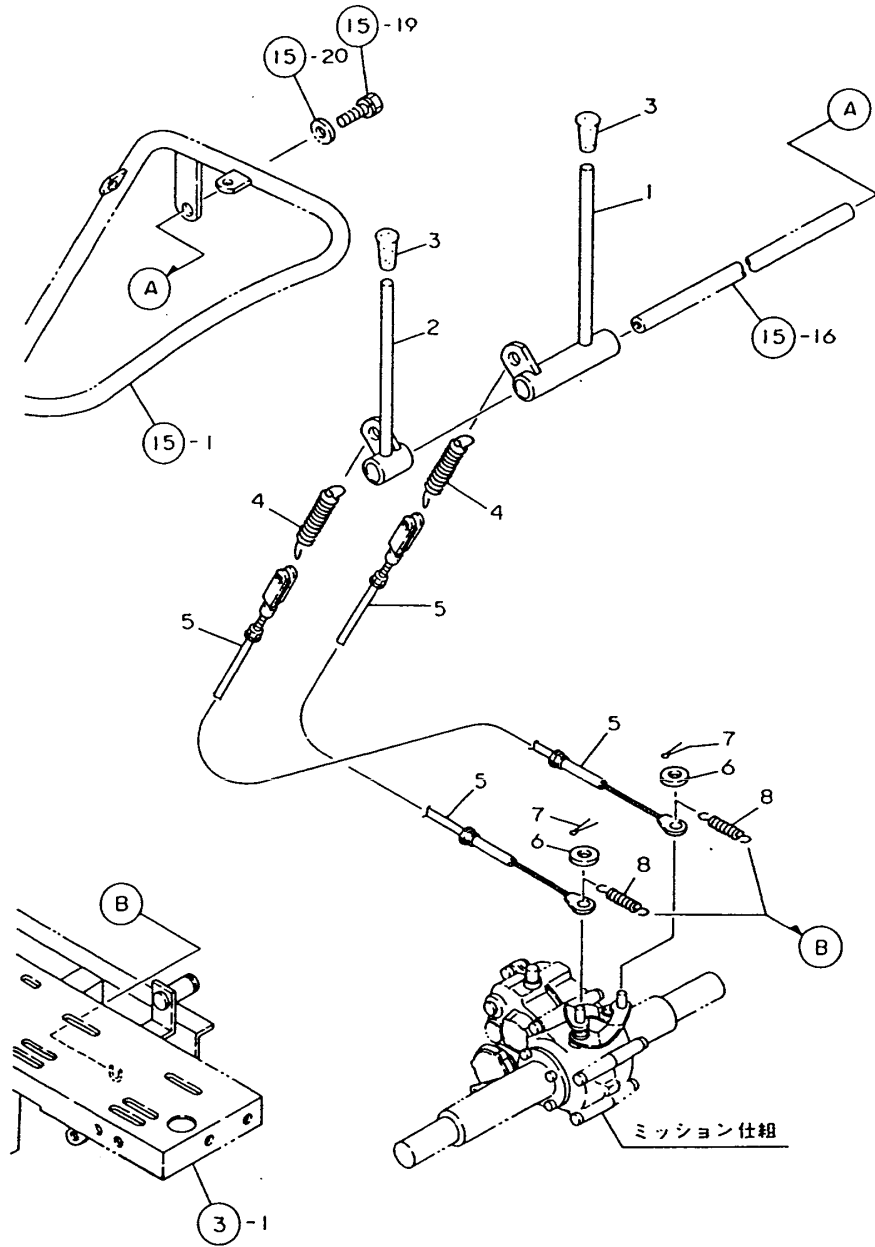


(A)=MCG100
(B)=
(C)=

(D)=
(E)=
(F)=

No.	Lev.	Parts No.	Description	Q'ty						I	R
				(A)	(B)	(C)	(D)	(E)	(F)		
1	1	1N1296-42050	LEVER,CHANGE	1							
2	1	1N1101-44020	GRIP 10,BRAKE	1							
3	1	1N1360-22090	SCREW 8X94,ADJUST	1							
4	1	22137-080000	WASHER, 8	4							
5	1	22360-080000	SNAP PIN 8	1							
6	1	26757-080002	NUT, LOCK M8	1							
7	1	1N1700-41120	ROD,FORWARD/REVERSE	1							
8	1	22417-250200	PIN, COTTER 2.5X20	3							
9	1	1N1296-42220	ROD,CHANGE	1							
10	1	1N1291-41000	HEAD,CHANGE	1							
11	1	22351-050025	PIN, SPRING 5.0X25	1							
12	1	1N1100-41000	CIRCLIP 24.8,CHANGE	1							

Fig.18. SIDE CLUTCH LEVER

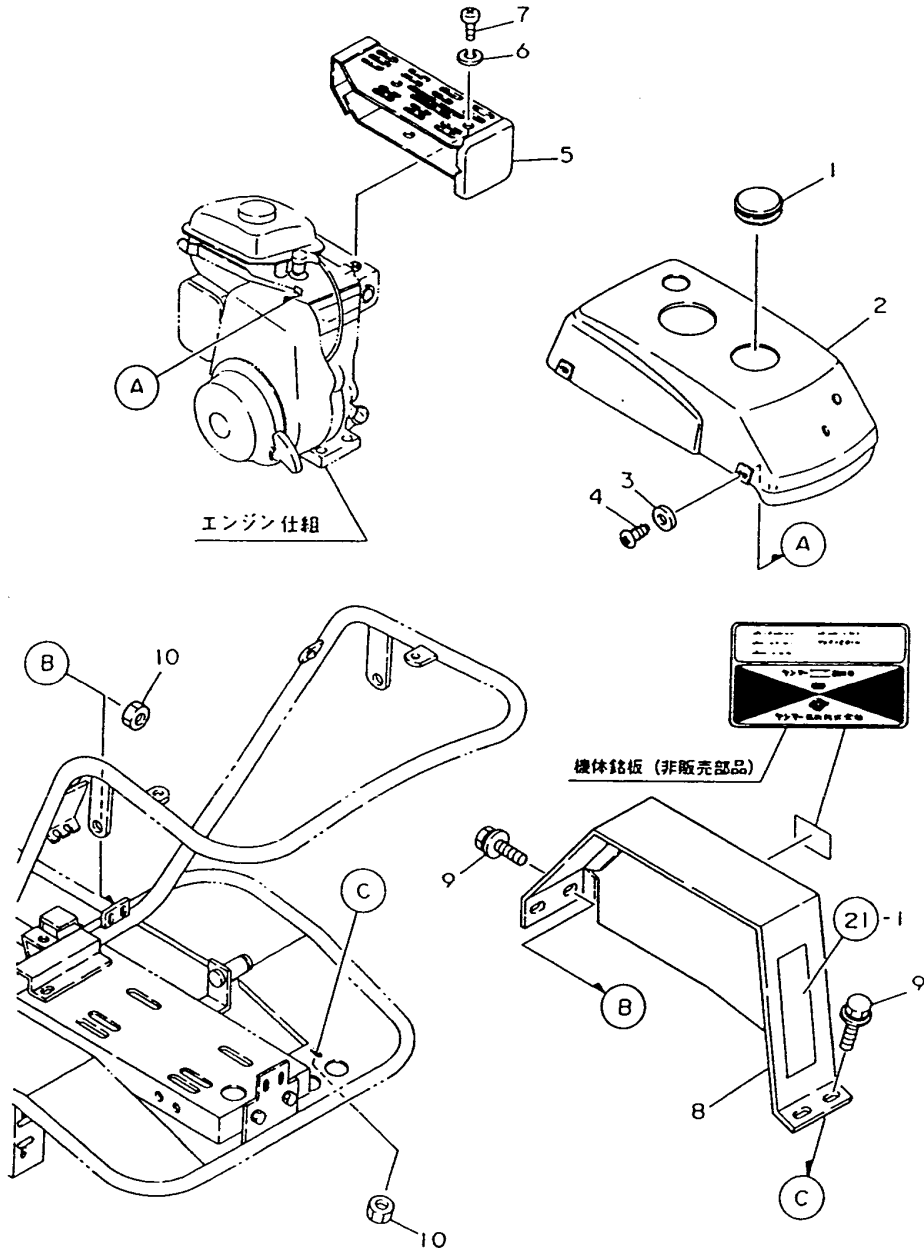


(A)=MCG100
(B)=
(C)=

(D)=
(E)=
(F)=

No.	Lev.	Parts No.	Description	Q'ty						I	R
				(A)	(B)	(C)	(D)	(E)	(F)		
1	1	1N1296-42020	LEVER R,SIDE CLUTCH	1							
2	1	1N1296-42030	LEVER L,SIDE CLUTCH	1							
3	1	1N1101-44010	GRIP 10,CLUTCH	2							
4	1	1N1210-53030	SPRING 21.5X78,TENS.	2							
5	1	1N1296-51000	WIRE,CONTROL	2							
6	1	22137-060000	WASHER, 6	2							
7	1	22417-200200	PIN, COTTER 2.0X20	2							
8	1	1N1190-45000	SPRING 11X72.5,TENS.	2							

Fig.19. ENGINE COVER

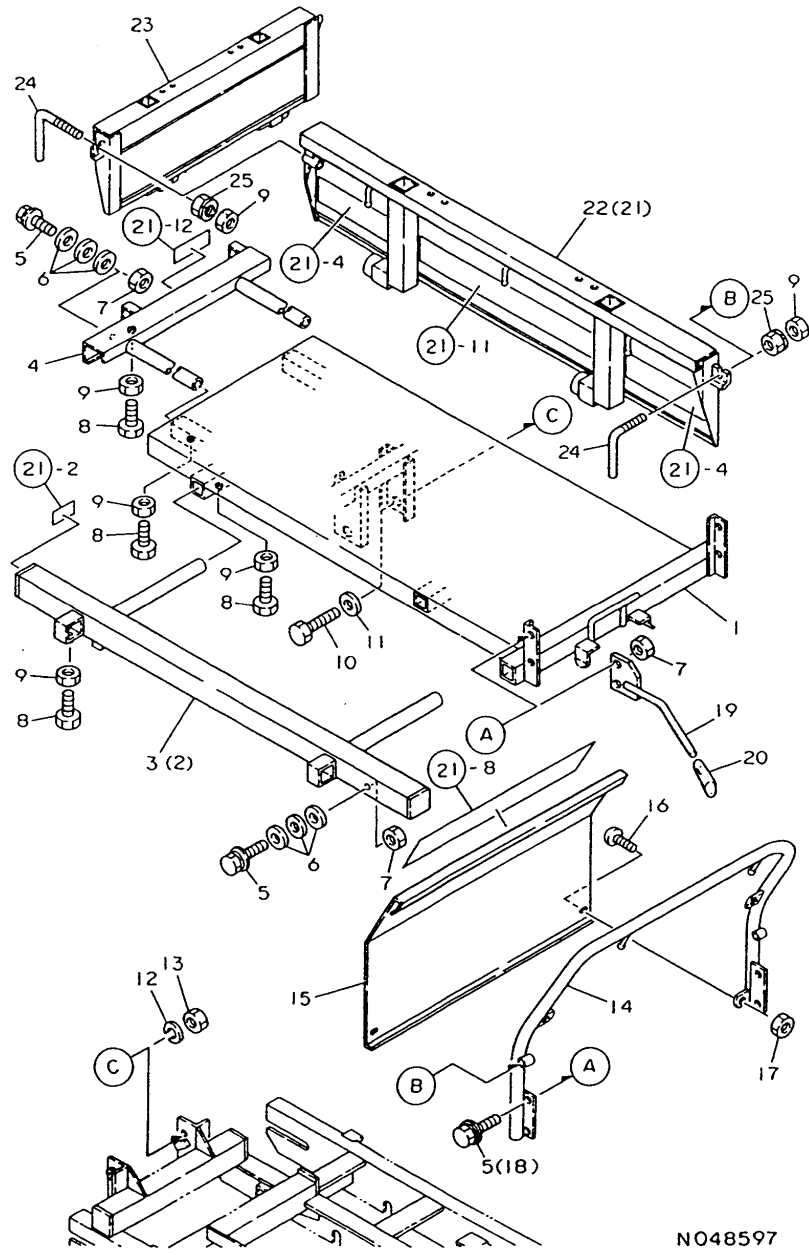


(A)=MCG100
(B)=
(C)=

(D)=
(E)=
(F)=

No.	Lev.	Parts No.	Description	Q'ty						I	R
				(A)	(B)	(C)	(D)	(E)	(F)		
1	1	1A1540-62180	CAP,PLUG	1							
2	1	1A1735-64010	BONNET	1							
2-1	1	1A1736-64010	BONNET	1							S
(A=F810189)											
3	1	1A1750-90150	WASHER 5,PLAIN	4							
4	1	1A1750-90050	SCREW 5X10,TAPPING	4							
5	1	1N1361-11000	MUFFLER A	1							
6	1	1A1750-90110	WASHER 5,SPRING	4							
7	1	1A1750-90010	SCREW 5X8,PAN HD.	4							
8	1	1N1296-58020	COVER,PULLEY	1							
9	1	1N1291-58080	BOLT 6X16 W/P&SW.	4							
10	1	26367-060002	NUT, M6	4							

Fig.20. PLATFORM CARRIER



N048597

(A)=MCG100

(B)=

(C)=

(D)=

(E)=

(F)=

No.	Lev.	Parts No.	Description	Q'ty						I	R
				(A)	(B)	(C)	(D)	(E)	(F)		
1	1	1N1296-64000	CARRIER,PLATFORM	1							
2	1	1N1296-64070	SUB-FRAME R	1							
3	1	1N1296-64090	SUB-FRAME L	1							
4	1	1N1291-64460	SUB-FRAME A	1							
5	1	26018-080254	BOLT M 8X 25	5							
6	1	22137-080000	WASHER, 8	9							
7	1	26367-080002	NUT, M8	7							
8	1	26117-100204	BOLT, M10X 20 PLATED	7							
9	1	26757-100002	NUT, LOCK M10	11							
10	1	26117-160454	BOLT, M16X 45 PLATED	2							
11	1	22137-160000	WASHER, 16	2							
12	1	22217-160000	WASHER, SPRING 16	2							
13	1	26757-160002	NUT, LOCK M16	2							
14	1	1N1296-66000	GUIDE,BACK	1							
15	1	1N1296-66020	PLATE,BACK	1							
16	1	26587-060162	SCREW, M6X16	4							
17	1	26367-060002	NUT, M6	4							
18	1	26018-080204	BOLT M 8X 20	2							
19	1	1N1293-64060	LEVER A,DMMP	1							
20	1	1N1101-44000	GRIP,SIDE CLUTCH	1							
21	1	1N1296-65000	PLATE R,SIDE	1							
22	1	1N1296-65010	PLATE L,SIDE	1							
23	1	1N1291-66210	PLATE A,FRONT	1							
24	1	1N1210-65090	HANDLE 90,SET	4							
25	1	26051-100002	NUT, M10	4							

Fig.21. LABELS



(A)=MCG100

(B)=

(C)=

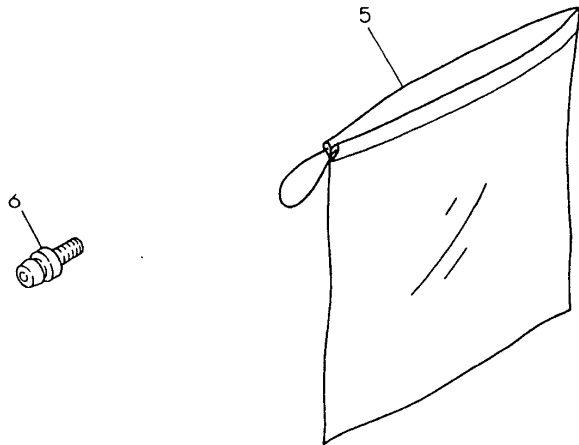
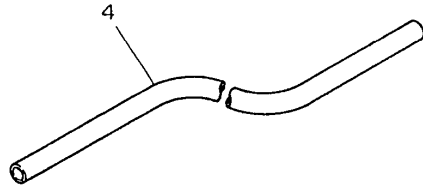
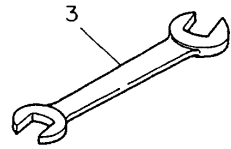
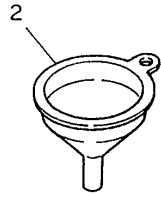
(D)=

(E)=

(F)=

No.	Lev.	Parts No.	Description	Qty						I	R
				(A)	(B)	(C)	(D)	(E)	(F)		
1	1	160730-07250	LABEL	1							
2	1	1N1070-93050	TAPE, REFLECTIVE	4							
3	1	1N1110-93020	LABEL, SIDE CLUTCH	2							
4	1	1N1291-93120	STICKER "DX" B, SIDE	4							
4-1	1	1N1277-93030	STICKER B, SIDE	4							S
(A=FXXXXXX)											
5	1	1N1292-93010	PLATE, CAUTION	2							
6	1	1N1292-93030	LABEL, SIDE CLUTCH	1							
7	1	1N1292-93050	LABEL, BRAKE	1							
8	1	1N1296-93000	NAMER A "MCG100", MN.	1							
9	1	1N1296-93010	NAMER B "MCG100", MN.	1							
10	1	1N1296-93030	PLATE, CHANGE	1							
11	1	1N1296-93040	STICKER, SIDE	2							
12	1	1N1296-93050	PLATE 400, LOADAGE	1							
13	1	1N1480-93080	NAMER D, HANDLING	1							
14	1	1N1292-93060	LABEL, MAIN CHANGE	1							

Fig.22. TOOLS & ACCESSORIES



(A)=MCG100
(B)=
(C)=

(D)=
(E)=
(F)=

No.	Lev.	Parts No.	Description	Q'ty						I	R
				(A)	(B)	(C)	(D)	(E)	(F)		
2	1	1N1070-91010	FUNNEL	1							
3	1	1N1101-91000	WRENCH 19X22	1							
4	1	1N1070-91020	HOSE	1							
5	1	1N1070-91090	BAG,TOOL	1							
6	1	24761-060000	NIPPLE, GREASE MT6X1	1							W
(A=F910129)											

Parts No. Index

Parts No.	Fig. No.	Ref. No.
160730-07250	21	1
1A1540-62180	19	1
1A1735-64010	19	2
1A1736-64010	19	2 -1
1A1750-90010	19	7
1A1750-90050	19	4
1A1750-90110	19	6
1A1750-90150	19	3
1N1070-91010	22	2
1N1070-91020	22	4
1N1070-91090	22	5
1N1070-93050	21	2
1N1100-41000	17	12
1N1101-36050	4	10
	5	11
1N1101-44000	20	20
1N1101-44010	18	3
1N1101-44020	14	5
	15	2
	17	2
1N1101-44030	16	1
1N1101-44040	3	13
1N1101-52010	14	15
1N1101-91000	22	3
1N1110-42001	15	5
	16	6
1N1110-93020	21	3
1N1150-25010	13	7
1N1151-53000	16	10
1N1185-51020	3	11
1N1190-45000	1	7
	14	6
	18	8
1N1210-22040	2	4
1N1210-35100	5	14
1N1210-53030	15	4
	18	4
1N1210-65090	20	24
1N1240-21040	2	12
1N1240-35030	4	8
	5	8
1N1240-42050	15	3
1N1276-44041	15	7
1N1277-42270	14	16
1N1277-42300	14	8
1N1277-42320	14	7
1N1277-51010	14	17
1N1277-93030	21	4 -1
1N1291-21010	2	9
1N1291-22020	2	3

Parts No.	Fig. No.	Ref. No.
1N1291-24040	6	6
1N1291-24051	6	1 -1
1N1291-24060	6	2
1N1291-24061	6	2 -1
1N1291-25010	7	2
1N1291-25040	8	5
1N1291-25050	8	7
1N1291-25060	8	8
1N1291-25070	9	1
1N1291-25080	9	6
1N1291-25090	10	1
1N1291-25100	10	2
1N1291-25110	10	3
1N1291-25120	10	5
1N1291-25131	10	6
1N1291-25132	10	6 -1
1N1291-25133	10	6 -2
1N1291-25134	10	6 -3
1N1291-25140	10	8
1N1291-25150	10	9
1N1291-25160	10	10
1N1291-25170	10	11
1N1291-25180	10	12
1N1291-25190	10	13
1N1291-25200	10	16
1N1291-25220	11	4
1N1291-25230	11	6
1N1291-25240	11	8
1N1291-25250	11	10
1N1291-25260	11	11
1N1291-25300	12	6
1N1291-25310	7	1
1N1291-25340	8	2 -1
1N1291-25350	9	2 -1
1N1291-26000	13	1
1N1291-26010	13	2
1N1291-26020	13	3
1N1291-26030	13	4
1N1291-26040	13	8
1N1291-26050	13	9
1N1291-35000	5	17
1N1291-41000	17	10
1N1291-42120	15	16
1N1291-42160	15	17
1N1291-51000	14	10
1N1291-58060	14	18
1N1291-58080	3	5
	14	12
	19	9
1N1291-64460	20	4

Parts No.	Fig. No.	Ref. No.
1N1291-66210	20	23
1N1291-93120	21	4
1N1292-93010	21	5
1N1292-93030	21	6
1N1292-93050	21	7
1N1292-93060	21	14
1N1293-53000	16	13
1N1293-54030	3	4
1N1293-64060	20	19
1N1296-21000	2	1
1N1296-22000	1	1
1N1296-24000	6	3
1N1296-24001	6	3 -1
1N1296-24010	6	4
1N1296-24011	6	4 -1
1N1296-24012	6	4 -2
1N1296-24013	6	4 -3
1N1296-24020	6	16
1N1296-25000	8	1
1N1296-25010	8	2
1N1296-25020	8	3
1N1296-25030	8	4
1N1296-25040	11	1
1N1296-25050	12	1
1N1296-25060	12	2
1N1296-25070	12	3
1N1296-31000	3	1
1N1296-35000	5	19
1N1296-37000	4	16
1N1296-42000	15	15
1N1296-42020	18	1
1N1296-42030	18	2
1N1296-42050	17	1
1N1296-42070	15	1
1N1296-42090	15	11
1N1296-42150	16	11
1N1296-42180	16	9
1N1296-42200	16	14
1N1296-42220	17	9
1N1296-47000	14	1
1N1296-51000	18	5
1N1296-54000	3	2
1N1296-54020	3	3
1N1296-58000	14	11
1N1296-58020	19	8
1N1296-58050	3	10
1N1296-58080	3	9
1N1296-64000	20	1
1N1296-64070	20	2
1N1296-64090	20	3

Parts No.	Fig. No.	Ref. No.
1N1296-64110	14	4
1N1296-65000	20	21
1N1296-65010	20	22
1N1296-66000	20	14
1N1296-66020	20	15
1N1296-93000	21	8
1N1296-93010	21	9
1N1296-93030	21	10
1N1296-93040	21	11
1N1296-93050	21	12
1N1360-22090	17	3
1N1360-22130	16	2
1N1360-22141	16	8
1N1361-11000	19	5
1N1361-35000	4	3
1N1361-35010	4	4
	5	4
1N1361-35011	4	4 -1
	5	4 -1
1N1361-36000	5	3
1N1361-37010	4	13
1N1380-42100	15	14
1N1430-22070	1	2
1N1430-24000	6	15
1N1430-24080	6	7
1N1430-25060	9	2
1N1430-25090	7	5
	8	9
	9	5
1N1430-26030	13	6
1N1480-93080	21	13
1N1700-41120	17	7
22137-060000	18	6
22137-080000	2	7
	6	9
	12	7
	15	8
	16	3
	17	4
	20	6
22137-100000	5	20
	15	20
22137-160000	5	9
	20	11
22217-060000	11	3
22217-080000	6	14
	12	8
22217-120000	6	18
22217-140000	4	14
22217-160000	4	9

Parts No. Index

Parts No.	Fig. No.	Ref. No.
22217-160000	5	10
	20	12
22242-000140	11	5
22242-000150	1	3
22242-000160	1	6
	16	12
22242-000170	9	4
22242-000200	5	6
22242-000250	10	7
22242-000500	10	4
22252-000200	4	6
22252-000350	1	5
22252-000470	10	17
22351-050025	12	4
	17	11
22360-080000	15	9
	16	4
	17	5
22360-200000	15	18
22417-200200	18	7
22417-250200	15	10
	16	5
	17	8
22417-250250	5	21
22550-050251	2	10
24101-060034	7	4
24101-060044	4	5
	5	5
24101-060054	10	14
24101-062024	7	6
24101-062034	8	6
	9	3
24104-062024	1	4
24311-000140	12	5
24421-173007	7	3
24421-173507	8	10
24421-204208	4	7
	5	7
24421-254708	10	15
24761-010000	4	11
	5	12
24761-060000	22	6
25123-003701	2	2
26013-100254	15	19
26014-060259	14	9
26016-060124	11	12
26016-060164	2	11
26016-080204	6	13
26018-060164	3	12
26018-080164	2	5

Parts No.	Fig. No.	Ref. No.
26018-080204	3	7
	15	12
	20	18
26018-080254	20	5
26018-100204	14	2
26051-080002	2	8
	14	14
26051-100002	20	25
26052-100002	5	15
26116-080452	2	6
26117-060084	4	11 -1
	5	12 -1
26117-080302	6	12
26117-081102	6	8
26117-081202	6	11
26117-100204	20	8
26117-160454	20	10
26367-060002	3	6
	14	13
	19	10
	20	17
26367-080002	3	8
	15	13
	20	7
26367-100002	14	3
26557-060162	11	2
26587-060162	20	16
26717-080002	6	10
	12	9
26717-100002	13	5
26717-120002	6	17
26717-140002	4	15
26717-160002	4	10 -1
		12
	5	11 -1
		13
26757-080002	15	6
	16	7
	17	6
26757-100002	5	16
	20	9
26757-160002	20	13
7N1291-25000	11	7
7N1291-25010	11	9
7N1296-35000	5	18
7N1361-35000	4	2
7N1361-35010	4	1
7N1361-35011	4	1 -1
7N1361-35020	4	2 -1
7N1361-36000	5	2

Parts No.	Fig. No.	Ref. No.
7N1361-36001	5	2 -1
7N1361-36010	5	1
7N1361-36011	5	1 -1

Parts No.	Fig. No.	Ref. No.
-----------	----------	----------